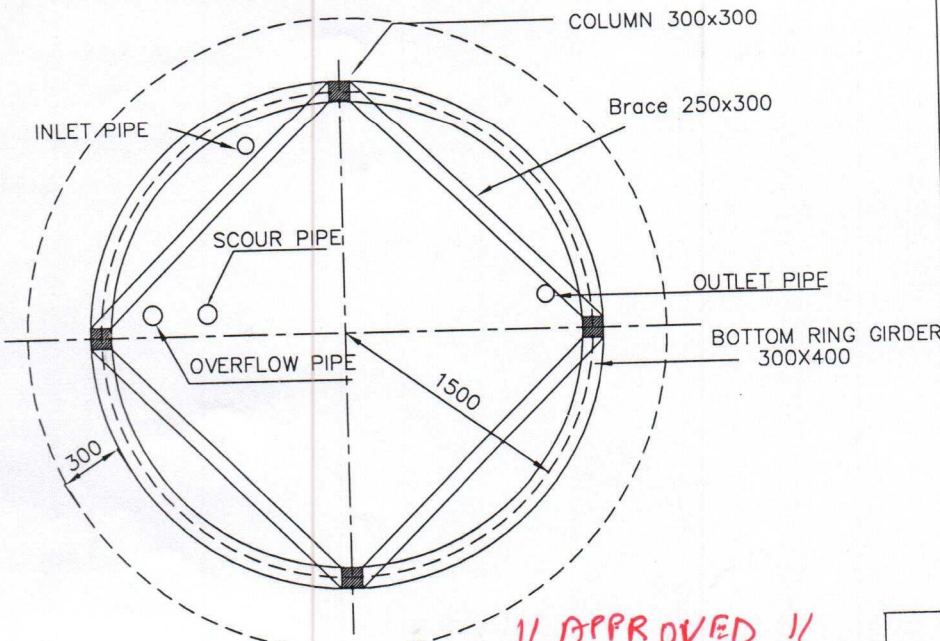


SECTIONAL ELEVATION



PLAN

NOTE: THIS DRAWING SUPERSEDES THE EARLIER APPROVED DRAWING FOR 10KL OHSR ON 17.04.2017

NOTES

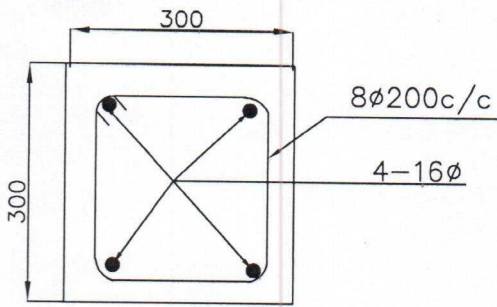
1. Grade of Concrete : M30
2. Grade of Steel : Fe500
3. Clear minimum cover
 - a) Water face:
 - Side walls : 45MM
 - Top & Bottom slabs : 45MM
 - Beams : 45MM
 - b) Away from Water face:
 - Side walls : 30MM
 - Top & Bottom slabs : 30MM
 - Beams : 30MM
 - c) Columns : 40MM
 - d) Footings : 50MM
4. All dimension are in 'mm' unless specified.
5. The steel should not be overlapped at the junction points
6. Not more than 1/2 of the bars should be curtailed at a given section
7. Suitable PVC pipe casing has to be Provided in the staircase column up to the top, for installation of lightening Arrester.
8. Seismic Zone : II
9. Wind speed : 44 m/s (Wind pressure: 1.6 kN/m²)
10. free board: 0.15m
11. Dead storage : 0.15m
12. Total staging is 12m and has to be adjusted in last staging
13. Depth upto Raft Beam top: 1.5m
14. For detailing of reinforcement IS SP-34 shall be followed .

// APPROVED //

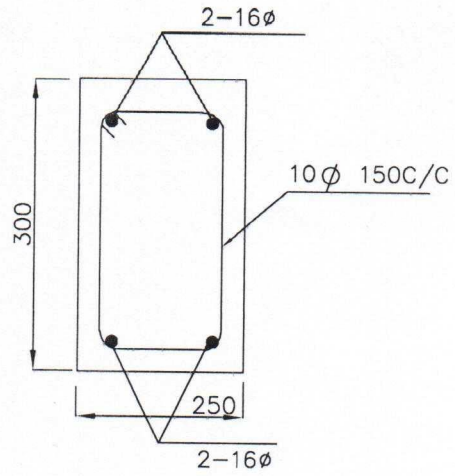
CEI
 Approved by
 CED
 (ETII)
 TDWSP, Hyderabad

12.15
 14/12
 16/15
 15/12/2017
 16/15/17

Government of Telangana		
Rural Water Supply & Sanitation Department		
Construction of 10 KL capacity OHSR/OHBR 12m staging column type		
Scale: Not to scale	sheet: 1 of 8	REV : 01



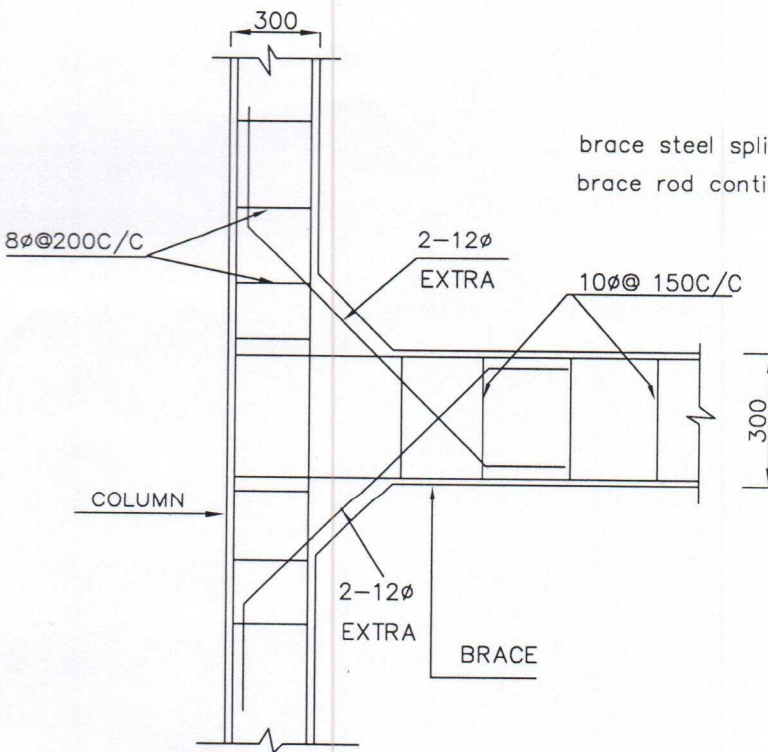
SECTION OF COLUMN



SECTION OF BRACE

NOTE: THIS DRAWING SUPER
 -SEDE THE EARLIER
 APPROVED DRAWING
 FOR 10KL OHSR
 ON 17.04.2017

brace steel spliced at middle section only
 brace rod continued at support section

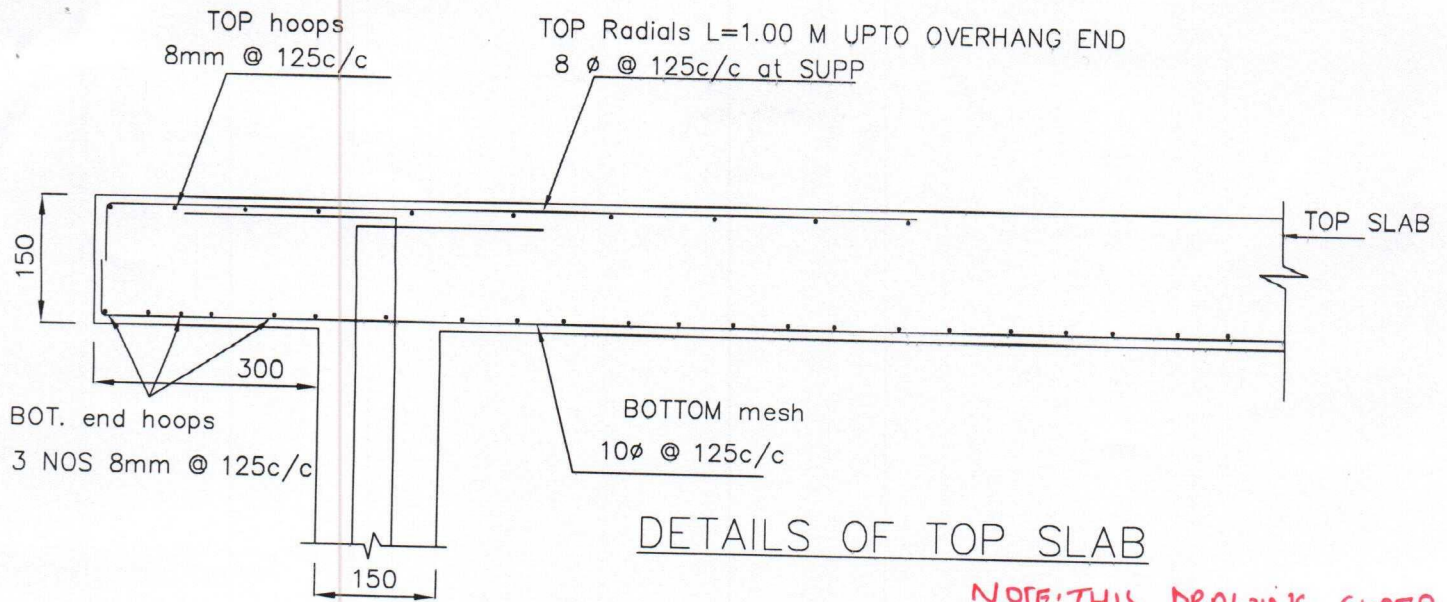


COLUMN BRACE JUNCTION

|| APPROVED ||

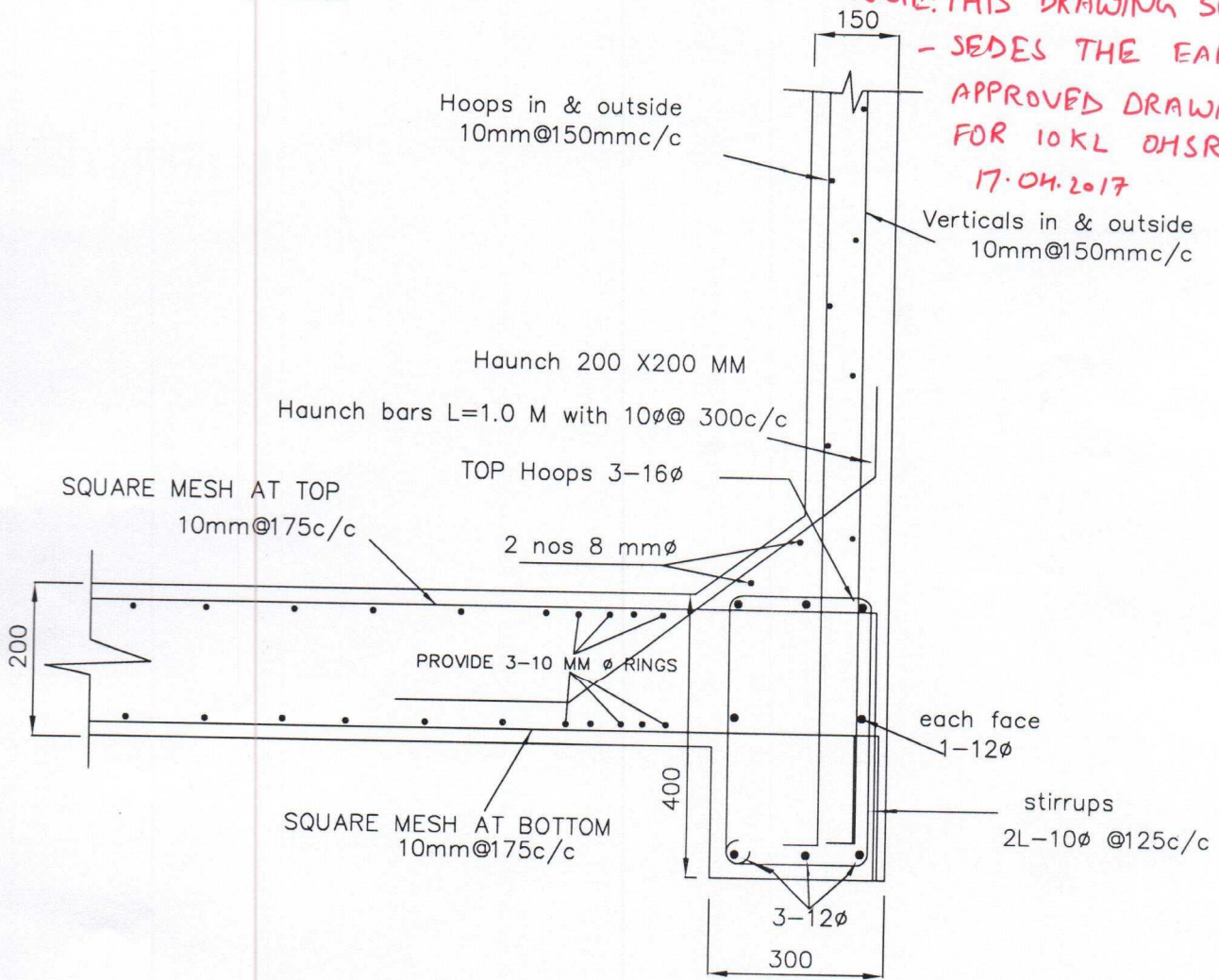
CE I CE II CE III
 TDWSP, Hyderabad
 16/5 16/5 16/5

Government of Telangana		
Rural Water Supply & Sanitation Department		
Construction of 10 KL capacity OHSR/OHBR 12m staging column type		
Scale: Not to scale	sheet: 2 of 8	REV: 01



DETAILS OF TOP SLAB

NOTE: THIS DRAWING SUPERSEDES THE EARLIER APPROVED DRAWING FOR 10KL OHSR ON 17.04.2017



BOTTOM RING BEAM CUM BOTTOM SLAB

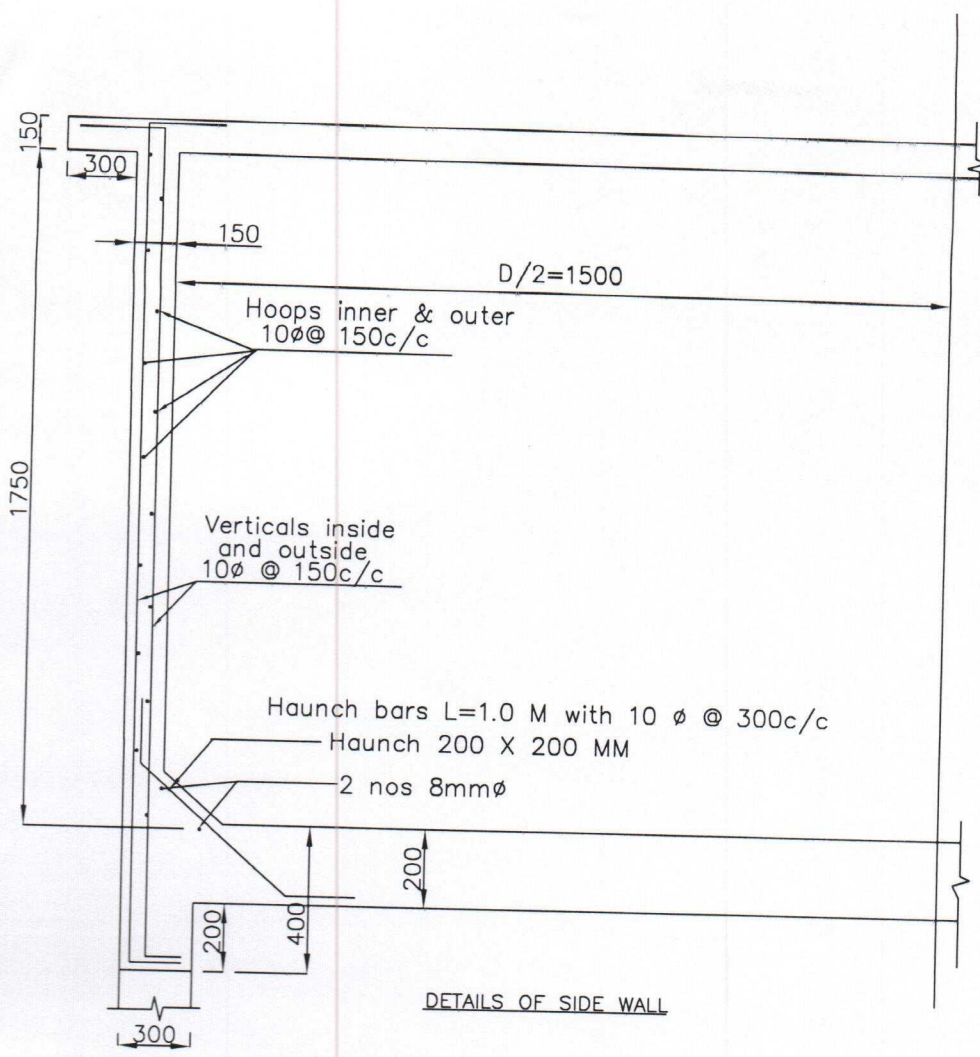
|| APPROVED ||

CE I CE II CE III

 TDWSP, Hyderabad

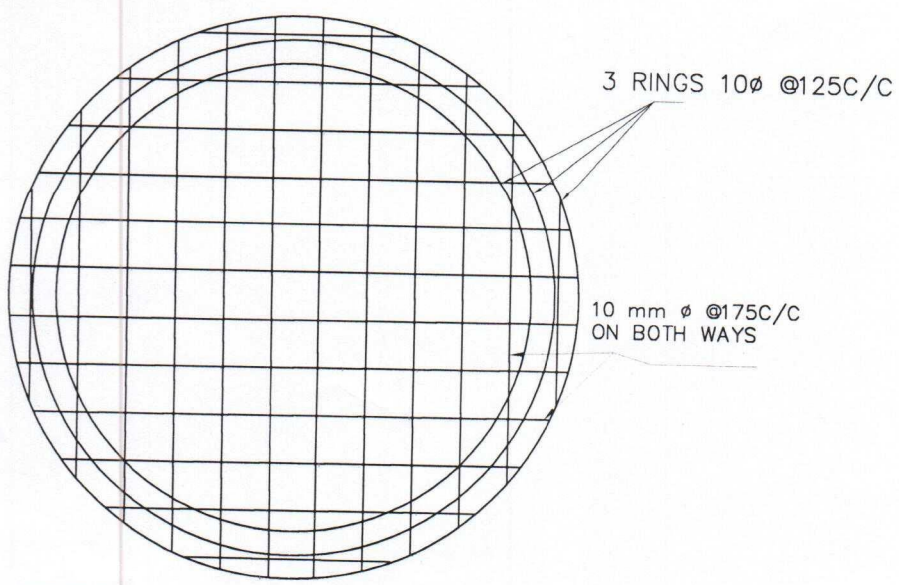
 16/5 14/8 16/5 16/5/2017 ECE

Government of Telangana		
Rural Water Supply & Sanitation Department		
Construction of 10 KL capacity OHSR/OHBR 12m staging column type		
Scale: Not to scale	sheet: 3 of 8	REV: 01



DETAILS OF SIDE WALL

NOTE: THIS DRAWING
SUPERSEDES THE
EARLIER APPROVED
DRAWING FOR 10KL
OHSR ON 17.04.2017



REINFORCEMENT PLAN OF BOTTOM SLAB(FOR TOP AND BOTTOM MATS)

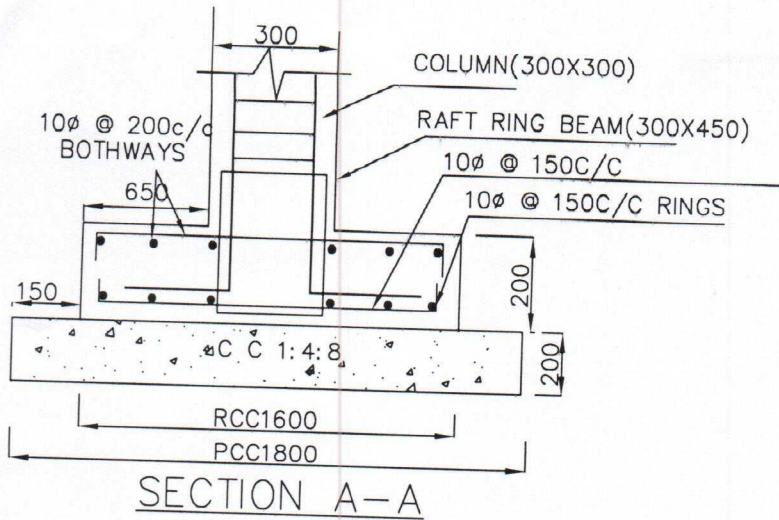
|| APPROVED ||

CEZ
G. Narasimha Reddy
16/5
CEII
P. Jayaram
16/5
CEII

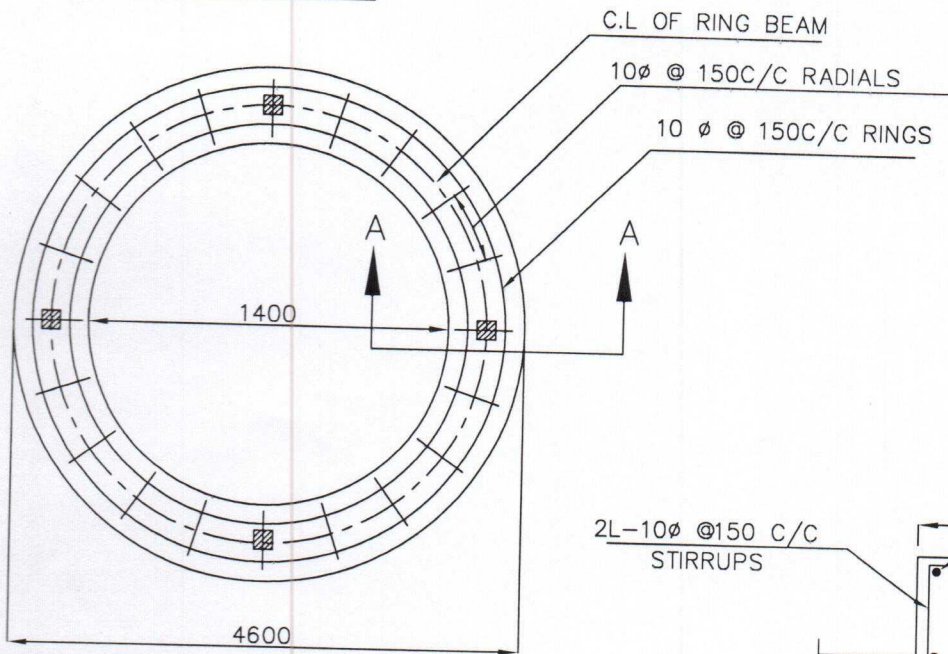
TDWSP, Hyderabad

16/5
14/5
16/5
16/5
16/5/12
EE

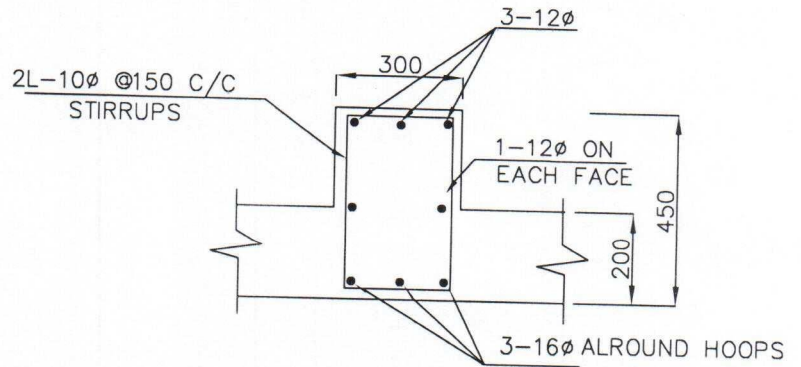
Government of Telangana		
Rural Water Supply & Sanitation Department		
Construction of 10 KL capacity OHSR/OHBR 12m staging column type		
Scale: Not to scale	sheet: 4 of 8	REV: 01



NOTE: THIS DRAWING
 SUPERSEDES THE
 EARLIER APPROVED
 DRAWING FOR 10KL
 OHSR ON 17.04.2017



BOTTOM REINFORCEMENT OF
 RING FOUNDATION
 SBC - 7.5t/m²

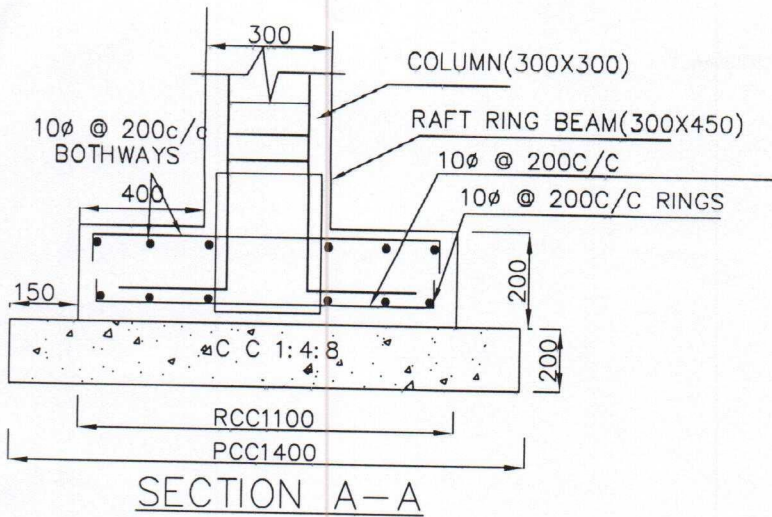


SECTION OF RING RAFT BEAM

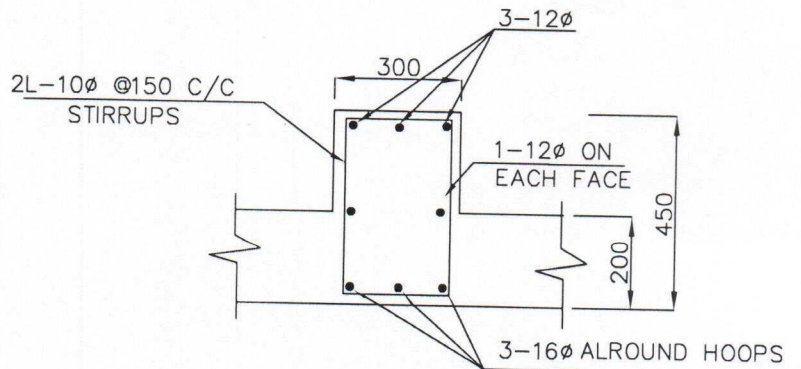
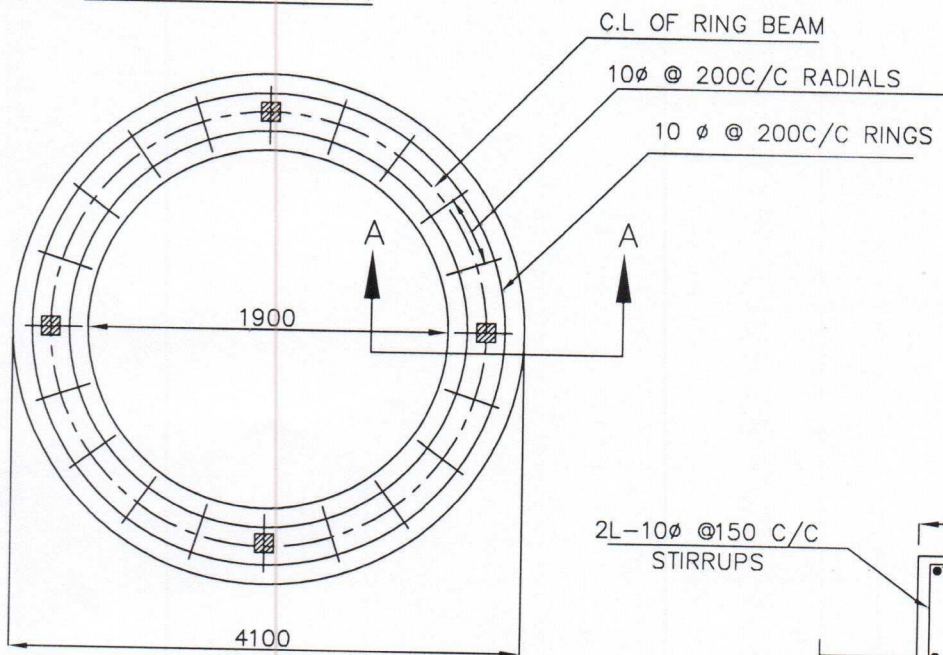
U APPROVED U

CE I
 G. N. Reddy
 CE II
 CE III
 TD WSP, Hyderabad
 M. 10/8/17
 EE

Government of Telangana		
Rural Water Supply & Sanitation Department		
Construction of 10 KL capacity OHSR/OHBR 12m staging column type		
Scale: Not to scale	sheet: 5 of 8	REV: 01



NOTE! THIS DRAWING SUPERSEDES THE EARLIER APPROVED DRAWING FOR 10 KL OHSR ON 17.04.2017



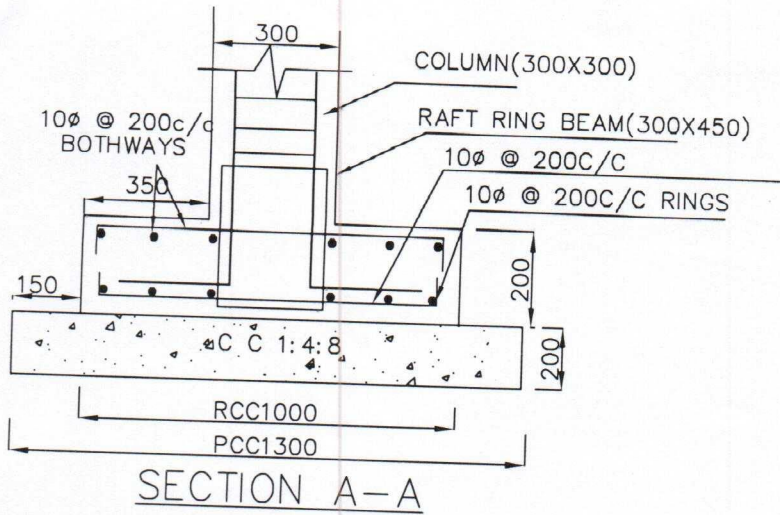
BOTTOM REINFORCEMENT OF RING FOUNDATION
SBC - 15t/m²

SECTION OF RING RAFT BEAM

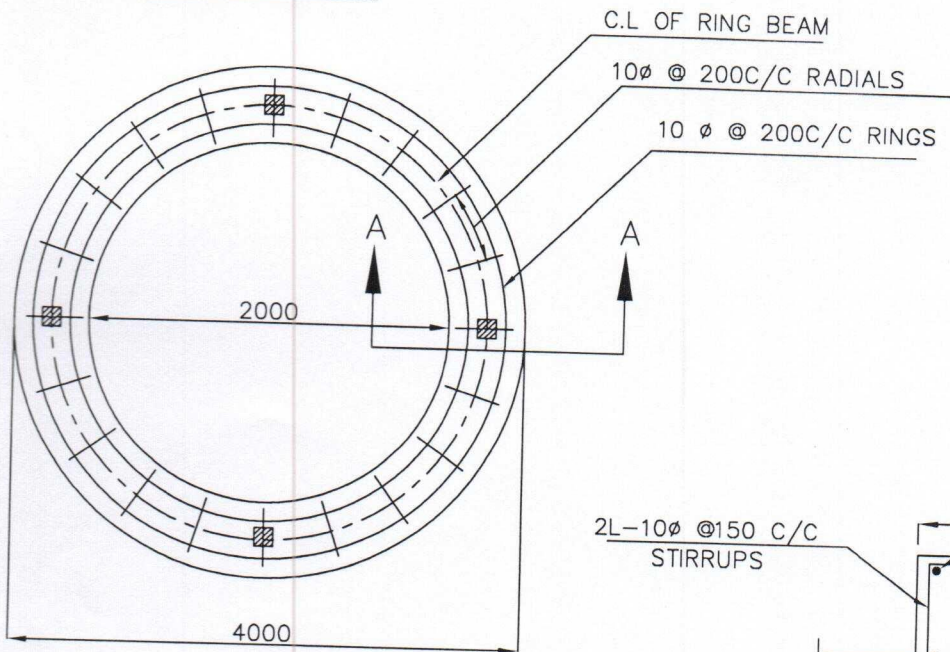
|| APPROVED ||

CE I CE II CE III
 TDWSP, Hyderabad
 16/5/17 16/5/17 16/5/17 16/5/17 16/5/17 16/5/17

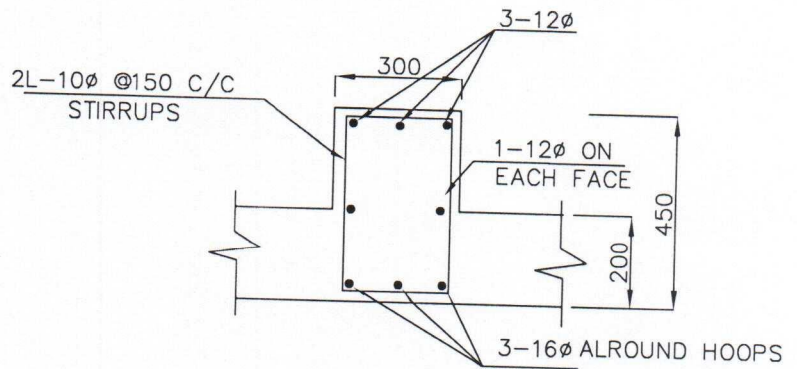
Government of Telangana		
Rural Water Supply & Sanitation Department		
Construction of 10 KL capacity OHSR/OHBR 12m staging column type		
Scale: Not to scale	sheet: 6 of 8	REV : 01



NOTE! THIS DRAWING
SUPERSEDES THE
EARLIER APPROVED
DRAWING FOR 10KL
OHSR ON 17.04.2017



BOTTOM REINFORCEMENT OF
RING FOUNDATION
SBC - 20t/m²

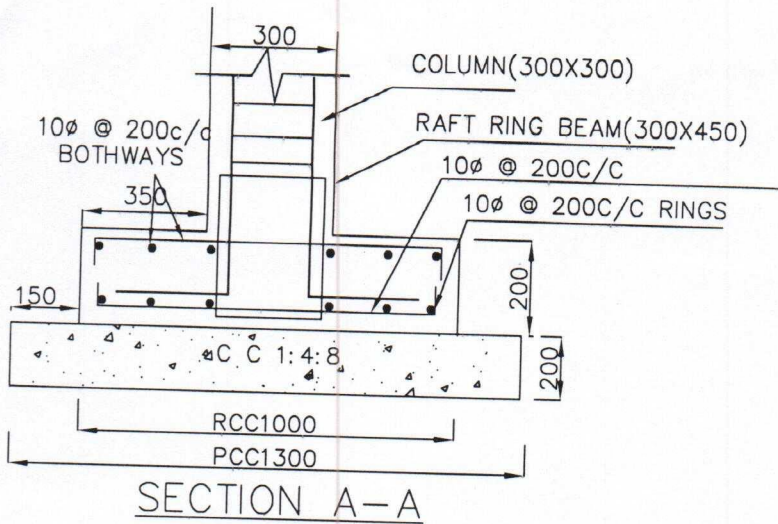


SECTION OF RING RAFT BEAM

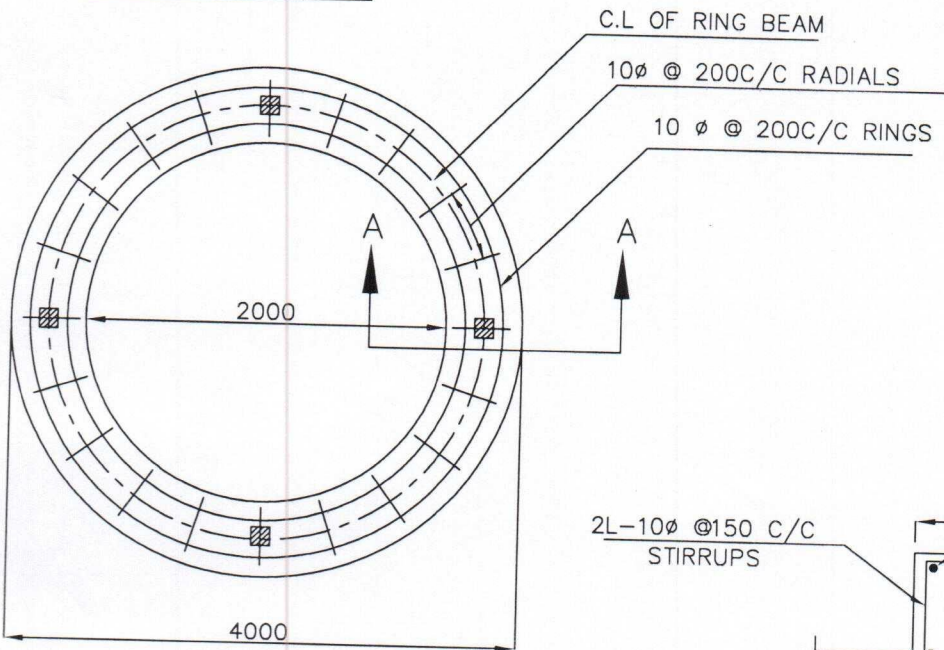
|| APPROVED ||

CE I
Gillmeed 16/5
CE II
Dny 16/5/11
CE III
TD WSP, Hyderabad
Rt 16/5 k/18
16/5
16/5/17
M 16/5/17
EE

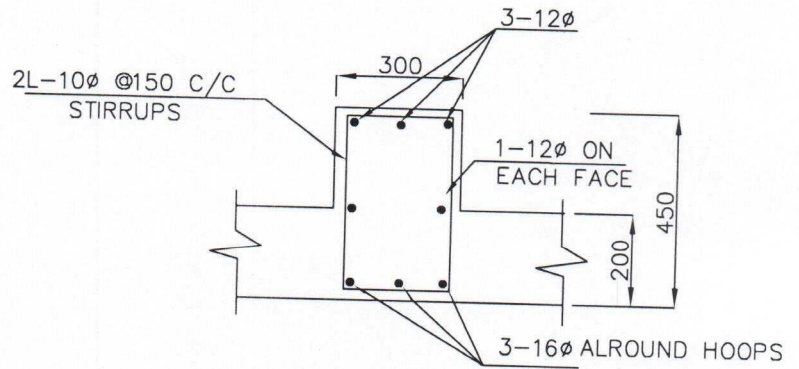
Government of Telangana		
Rural Water Supply & Sanitation Department		
Construction of 10 KL capacity OHSR/OHBR 12m staging column type		
Scale: Not to scale	sheet: 7 of 8	REV: 01



NOTE: THIS DRAWING
SUPERSEDES THE
EARLIER APPROVED
DRAWING FOR 10KL
OHSR ON 17.04.2017



BOTTOM REINFORCEMENT OF
RING FOUNDATION
SBC - 30t/m²



|| APPROVED ||

CE I
CE II
CE III
TDWSP, Hyderabad
Re 16/5
MVA 14/4
16/5
16/5/17
M 16/5/17
EB

Government of Telangana		
Rural Water Supply & Sanitation Department		
Construction of 10 KL capacity OHSR/OHBR 12m staging column type		
Scale: Not to scale	sheet: 8 of 8	REV: 01